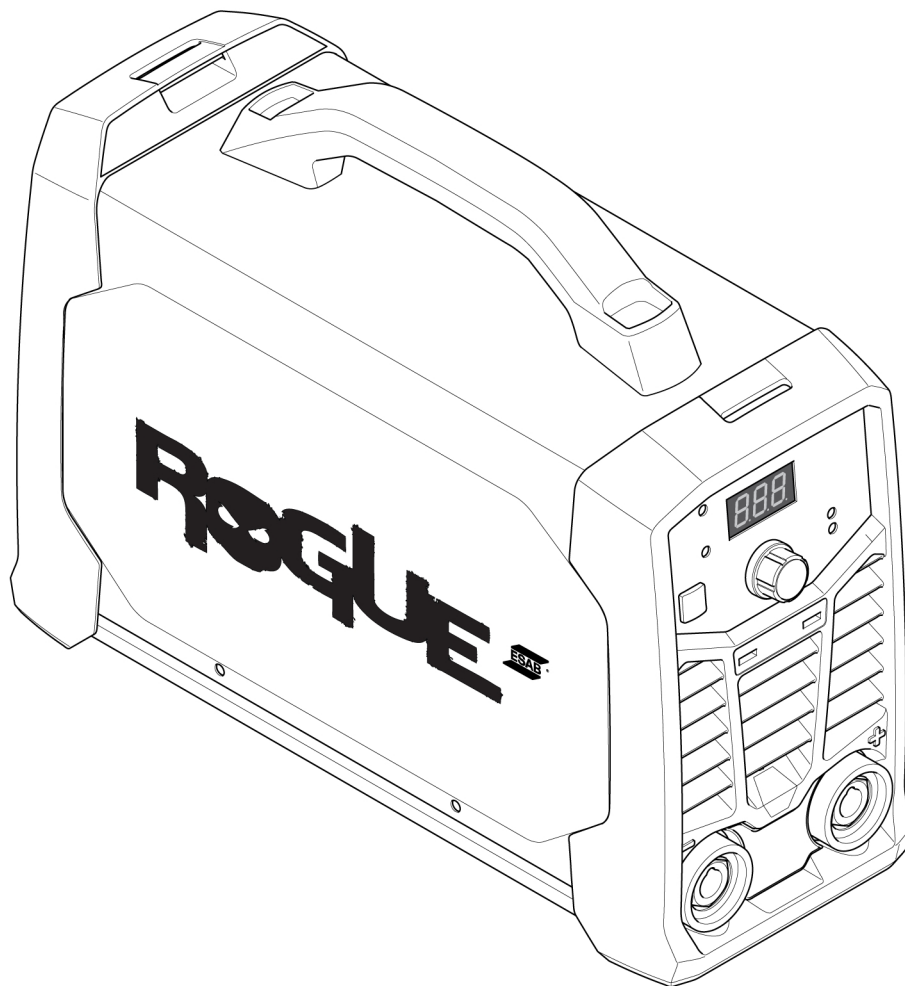


Rogue

***ES 151iP, ES 151iP PRO,  
ES 181iP, ES 181iP PRO,  
ES 201iP PRO, ES 208iP,***



## Spare parts list

| <b>Ordering no.</b> | <b>Denomination</b> | <b>Notes</b>                          |
|---------------------|---------------------|---------------------------------------|
| 0705 002 004        | Rogue ES 208iP      | China                                 |
| 0705 002 006        | Rogue ES 151iP      | Europe                                |
| 0705 002 007        | Rogue ES 181iP PRO  | Europe                                |
| 0705 002 008        | Rogue ES 181iP      | Europe                                |
| 0705 002 009        | Rogue ES 201iP PRO  | Europe                                |
| 0705 002 012        | Rogue ES 201iP PRO  | India                                 |
| 0705 002 014        | Rogue ES 201iP PRO  | MEA                                   |
| 0705 002 019        | Rogue ES 181iP PRO  | Mexico                                |
| 0705 002 021        | Rogue ES 151iP PRO  | NAM                                   |
| 0705 002 022        | Rogue ES 201iP PRO  | NAM                                   |
| 0705 002 024        | Rogue ES 201iP PRO  | SEA                                   |
| 0448 526 001        | Instruction manual  | Rogue ES 181iP PRO, ES 201iP PRO      |
| 0448 527 001        | Instruction manual  | Rogue ES 151iP PRO, ES 181iP          |
| 0448 684 001        | Instruction manual  | Rogue ES 151iP PRO, ES 201iP PRO, NAM |

Spare parts may be ordered through your nearest ESAB dealer, see [esab.com](http://esab.com). When ordering, please state product type, serial number, denominations and ordering numbers according to the spare parts list. This facilitates dispatch and ensures correct delivery.

Maintenance and repair work should be performed by an experienced person, and electrical work only by a trained electrician. Use only recommended spare parts.

For accessories to the product, see the instruction manual.

The three last digits in the document number of the manual show the version of the manual. Therefore they are replaced with \* here. Make sure to use a manual with a serial number or software version that corresponds with the product, see the front page of the manual.

TABLE OF CONTENTS

---

- 1 SPARE PARTS ..... 4**
- 1.1 Housing module ..... 4**
- 1.2 Connection parts ..... 6**
- 1.3 User interface ..... 8**

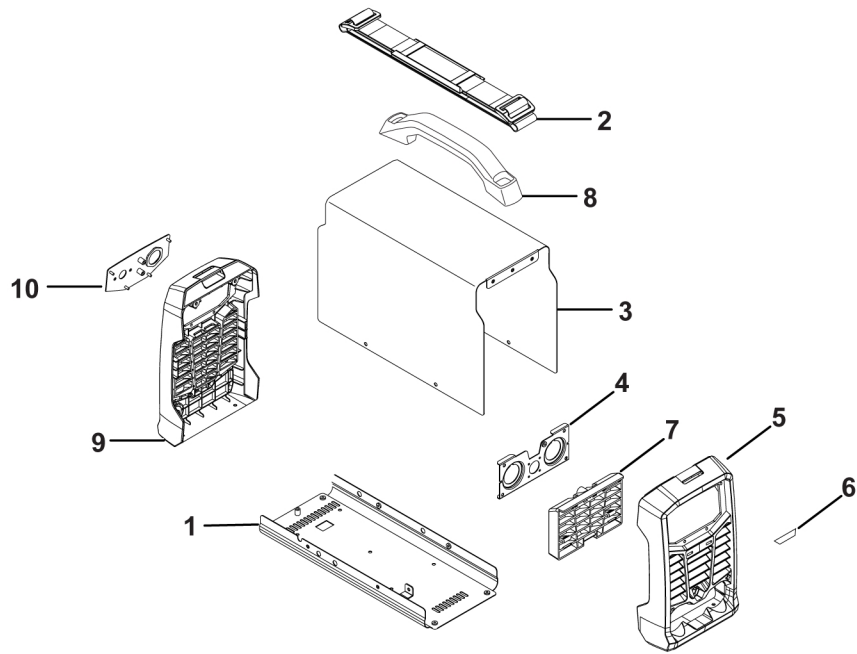
# 1 SPARE PARTS

## 1.1 Housing module

| <b>C = Component designation in the circuit diagram</b> |                     |                     |                                |   |          |
|---|---------------------|---------------------|--------------------------------|---|----------|
| <b>Item</b>   | <b>Qty</b>          | <b>Ordering no.</b> | <b>Denomination</b>            | <b>Notes</b>  | <b>C</b> |
| 1   | 1                   | 0464 752 184        | Base plate                     | ES 151iP CE   |          |
|   |                     | 0464 752 201        |                                | ES 151iP PRO NAM  |          |
|   |                     | 0464 752 185        |                                | ES 181iP CE   |          |
|   |                     | 0464 752 186        |                                | ES 181iP PRO CE   |          |
|   |                     | 0464 752 183        |                                | ES 181iP PRO NAM  |          |
|   |                     | 0464 752 187        |                                | ES 201iP PRO CE   |          |
|   |                     | 0464 752 213        |                                | ES 181iP PRO Mexico   |          |
|   |                     | 0464 752 327        |                                | ES 208iP China  |          |
| 2   | 1                   | 0464 670 003        | Belt                           |   |          |
| 3   | 1                   | 0464 752 188        | Case                           | Rogue ES CE, SEA, MEA   |          |
|   |                     | 0464 752 189        |                                | Rogue ES NAM, Mexico  |          |
|   |                     | 0464 752 347        |                                | ES 201iP PRO India  |          |
|   |                     | 0464 752 340        |                                | ES 208iP China  |          |
| 4   | 1                   | 0464 670 009        | Output retaining plate         | ES 151iP, 181iP CE,<br>ES 208iP China   |          |
|   |                     | 0464 670 010        |                                | ES 181iP PRO, 201iP PRO,<br>151iP PRO CE, MEA, NAM,<br>India, SEA                   |          |
| 5   | 1                   |                     | Front plastic panel            | Rogue ES, See item 102  |          |
| 6   | 1                   |                     | Label                          | Rogue ES, See item 102  |          |
| 7   | 1                   | 0464 670 011        | Louver                         |   |          |
| 8   | 1                   | 0464 670 007        | Handle                         |   |          |
| 9   | 1                   |                     | Plastic back plate<br>assembly | See item 101  |          |
| 10  | 1                   |                     | Fixed plate on back panel      | See item 101  |          |
| <b>Item</b>   | <b>Ordering no.</b> |                     | <b>Denomination</b>            | <b>Notes</b>  |          |
| 101   | 0464 672 882        |                     | Back plastic panel             | Including items 9 and 10. ES 151iP,<br>181iP NAM, ES 181iP Mexico                   |          |
|   | 0464 672 883        |                     |                                | Including items 9 and 10.<br>ES 181iP PRO, 201iP PRO CE,<br>ES 201iP PRO MEA, India |          |
|   | 0464 672 884        |                     |                                | Including items 9 and 10.<br>ES 151iP, 181iP CE                                     |          |

1 SPARE PARTS

| Item | Ordering no. | Denomination        | Notes  |
|------|--------------|---------------------|--|
| 102  | 0464 752 221 | Front plastic panel | Including items 5 and 6. ES 151iP            |
|      | 0464 752 222 |                     | Including items 5 and 6. ES 181iP            |
|      | 0464 752 223 |                     | Including items 5 and 6.<br>ES 181iP PRO     |
|      | 0464 752 224 |                     | Including items 5 and 6.<br>ES 201iP PRO     |
|      | 0464 752 225 |                     | Including items 5 and 6.<br>ES 151iP PRO NAM |
|      | 0464 752 226 |                     | Including items 5 and 6.<br>ES 208iP China   |



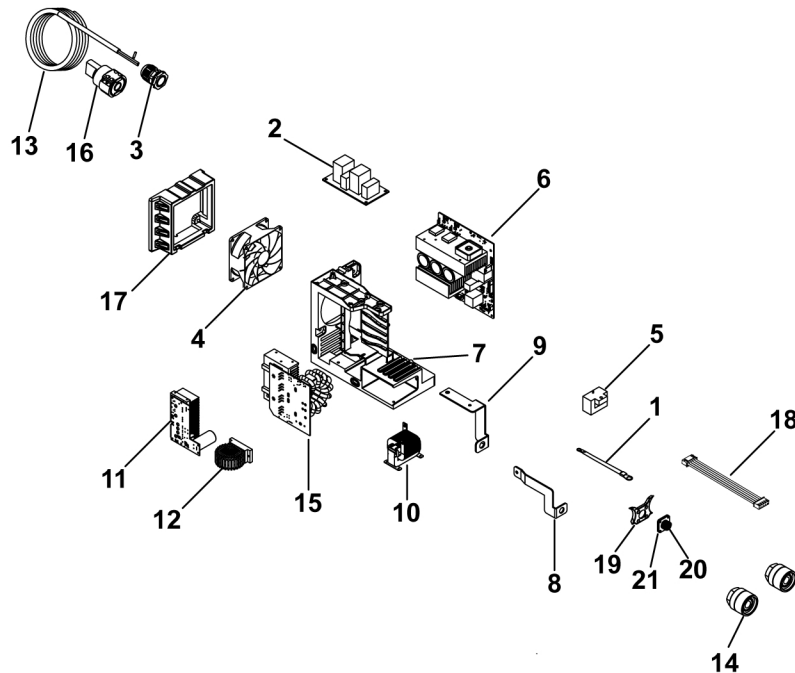
## 1.2 Connection parts

| <b>C = Component designation in the circuit diagram</b> |            |                     |                                  |  |          |
|---|------------|---------------------|----------------------------------|--|----------|
| <b>Item</b>   | <b>Qty</b> | <b>Ordering no.</b> | <b>Denomination</b>              | <b>Notes</b>   | <b>C</b> |
| 1   | 1          | 0464 674 001        | Connect cable                    | ES 151iP, 181iP, 181iP PRO, 201iP PRO CE, ES 201iP PRO SEA, MEA, India |          |
| 2   | 1          | 0464 673 007        | EMC filter board                 | ES 181iP PRO, 201iP PRO CE, ES 201iP PRO SEA, India                    |          |
|   |            | 0464 673 001        |                                  | ES 201iP PRO MEA, ES 151iP PRO, 181iP PRO NAM, ES181iP PRO Mexico      |          |
|   |            | 0464 673 002        |                                  | ES 151iP, 181iP CE   |          |
| 3   | 1          | 0464 674 002        | Cable gland                      | Rogue ES   |          |
|   |            | 0464 752 284        |                                  | Rogue ES NAM, Mexico   |          |
| 4   | 1          | 0464 674 003        | Fan                              |  |          |
| 5   | 1          | 0464 670 006        | Hall sensor with harness         |  |          |
| 6   | 1          | 0464 673 008        | IGBT inverter board and main PCB | ES 151iP PRO, 181iP PRO NAM, ES 181iP PRO Mexico                       |          |
|   |            | 0464 673 003        |                                  | ES 181iP PRO, 201iP PRO CE, ES 201iP PRO SEA, MEA, India               |          |
|   |            | 0464 673 006        |                                  | ES 151iP, 181iP CE   |          |
|   |            | 0464 752 335        |                                  | ES 208iP China   |          |
| 7   | 1          | 0464 670 008        | Movement bracket                 |  |          |
| 8   | 1          | 0464 674 005        | Rail sec inductor - OKC          |  |          |
| 9   | 1          | 0464 674 006        | Output bus II                    |  |          |
| 10  | 1          | 0464 674 007        | Output inductor                  |  |          |
| 11  | 1          | 0464 673 004        | PFC board                        | Rogue PRO  |          |
| 12  | 1          | 0464 674 008        | PFC electrical inductance        | Rogue PRO  |          |
| 13  | 1          | 0464 674 009        | Mains cable                      | ES 201iP PRO MEA, India  |          |
|   |            | 0464 674 011        |                                  | ES 151iP, 181iP, 181iP PRO, 201iP PRO CE, ES 201iP PRO SEA             |          |
|   |            | 0464 674 012        |                                  | ES 151iP PRO, 181iP PRO NAM, ES 181iP PRO Mexico                       |          |
|   |            | 0464 752 190        |                                  | ES 208iP CHina   |          |
|   |            | 0464 752 339        |                                  | ES 201iP PRO India   |          |
|   |            | 0464 752 338        |                                  | ES 201iP PRO MEA   |          |

1 SPARE PARTS

| <b>C = Component designation in the circuit diagram</b> |     |              |   |  |   |
|---|-----|--------------|---|--|---|
| Item  | Qty | Ordering no. | Denomination  | Notes  | C |
| 14  | 1   | 0464 671 004 | Quick connector (OKC)                                   |  |   |
| 15  | 1   | 0464 673 005 | Rectifier plate   | ES 151iP PRO,<br>ES 181iP PRO NAM,<br>ES 201iP PRO MEA |   |
|   |     | 0464 673 009 |   | ES 181iP PRO,<br>201iP PRO CE,<br>ES 151iP, 181iP CE   |   |
|   |     | 0464 673 010 |   | ES 151iP, 181iP CE                                     |   |
| 16  | 1   | 0464 674 013 | Mains switch 0-1  |  |   |
| 17  | 1   | 0464 670 012 | Wind deflector  |  |   |
| 18  | 1   | 0464 676 032 | Connection cable between main PCB and Front control PCB |  |   |
| 19  | 1   |              | Aviation socket fixed plate                             | See item 201   |   |
| 20  | 1   |              | Aviation socket harness                                 | See item 201   |   |
| 21  | 1   |              | Aviation socket washer                                  | See item 201   |   |

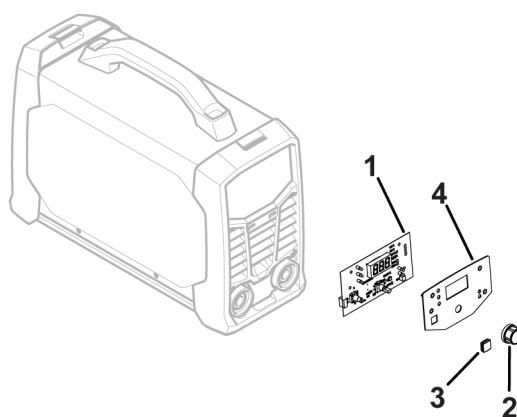
| Item | Ordering no. | Denomination                         | Notes   |
|------|--------------|--------------------------------------|---|
| 201  | 0464 671 881 | Sleeve socket 8-pin with harness set | Including items 19, 20 and 21.<br>ES 181iP PRO, 201iP PRO CE,<br>ES 201iP PRO SEA, MEA, India,<br>ES 151iP PRO, 181iP PRO NAM,<br>ES 181iP PRO Mexico |



## 1.3 User interface

| C = Component designation in the circuit diagram |     |              |                       |              |   |
|--|-----|--------------|-----------------------|--------------|---|
| Item   | Qty | Ordering no. | Denomination          | Notes        | C |
| 1  | 1   |              | Digital display board | See item 301 |   |
| 2  | 1   | 0464 672 004 | Potentiometer knob    | See item 301 |   |
| 3  | 2   |              | Key rubber sleeve     | See item 301 |   |
| 4  | 1   |              | Front shield plate    | See item 301 |   |

| Item | Ordering no. | Denomination          | Notes  |
|------|--------------|-----------------------|--|
| 301  | 0464 752 191 | Digital display board | Including items 1, 2, 3 and 4.<br>ES 151iP PRO NAM         |
|      | 0464 752 192 |                       | Including items 1, 2, 3 and 4.<br>ES 181iP PRO NAM, Mexico |
|      | 0464 752 193 |                       | Including items 1, 2, 3 and 4.<br>ES 201iP PRO CE, SEA     |
|      | 0464 752 194 |                       | Including items 1, 2, 3 and 4.<br>ES 201iP PRO India, MEA  |
|      | 0464 752 195 |                       | Including items 1, 2, 3 and 4.<br>ES 151iP CE              |
|      | 0464 752 196 |                       | Including items 1, 2, 3 and 4.<br>ES 181iP CE              |
|      | 0464 752 197 |                       | Including items 1, 2, 3 and 4.<br>ES 181iP PRO CE          |
|      | 0464 752 332 |                       | Including items 1, 2, 3 and 4.<br>ES 208iP China           |







# A WORLD OF PRODUCTS AND SOLUTIONS.



For contact information visit <http://esab.com>

ESAB AB, Lindholmsallén 9, Box 8004, 402 77 Gothenburg, Sweden, Phone +46 (0) 31 50 90 00

[manuals.esab.com](http://manuals.esab.com)

